

Mazda B2000

1981
Wiring Diagram

MAZDA

INTRODUCTION

In this booklet, the whole electrical system is divided into sub systems, such as charging system, ignition system, and so on.

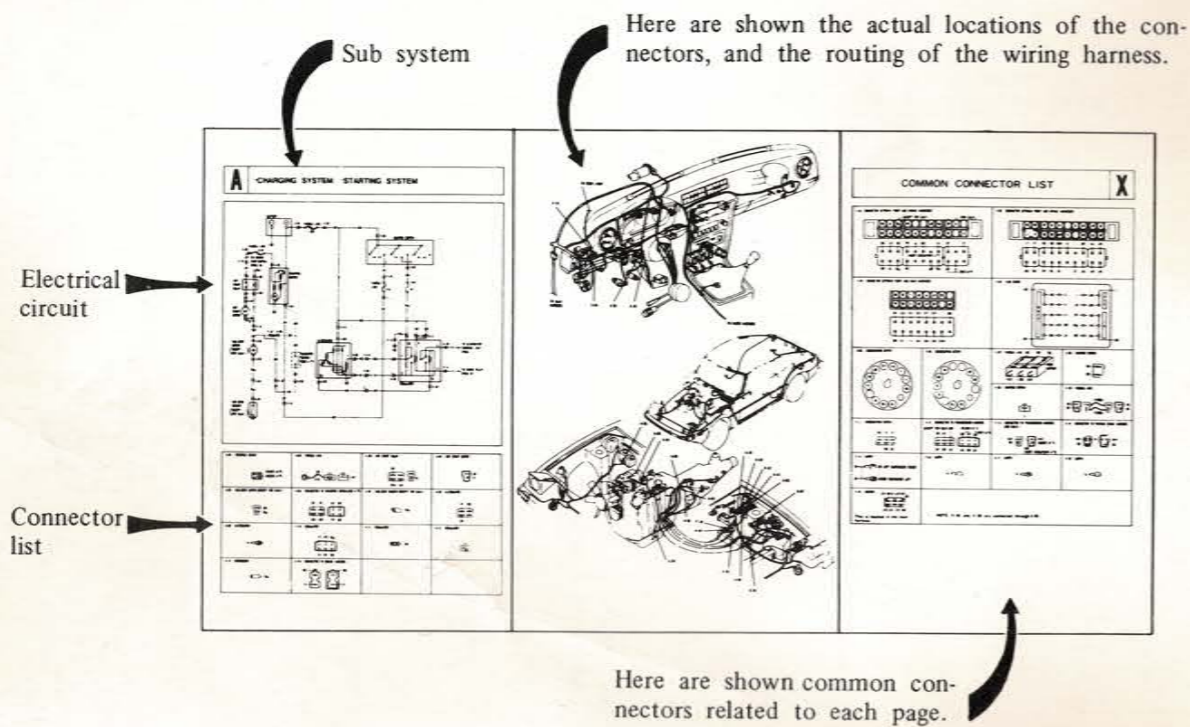
Index shows on which page the sub system is found and which page each component belongs to. Each system is shown on right and left pages. The upper part of the left page shows the electrical circuit and the lower part shows the configuration of each connector. Right page shows the actual location of each connector and the routing of the harness on the vehicle.

The last page X shows the common connectors related to each sub system.

This booklet incorporates the wiring schematic for the basic vehicle and its available optional equipment.

Actual vehicle wiring may vary slightly depending upon optional equipment and/or local specifications.

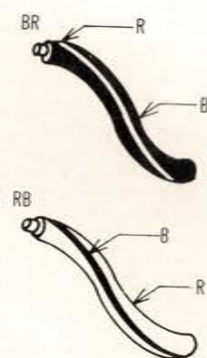
All information in this booklet are best available at the time of printing. Toyo Kogyo reserves right to make changes in circuit and specifications without previous notice.



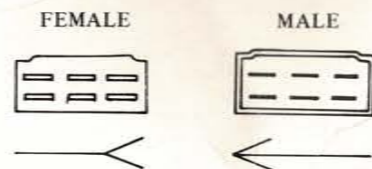
WIRING CODE:

The first alphabet indicates the basic color for the wire, and the second alphabet indicates the stripe color.

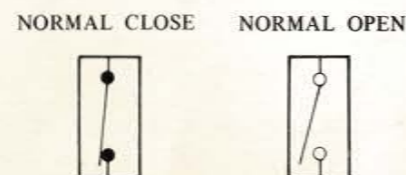
CODE	COLOR
B	BLACK
Br	BROWN
G	GREEN
Gy	GRAY
L	BLUE
Lb	LIGHT BLUE
Lg	LIGHT GREEN
O	ORANGE
R	RED
W	WHITE
Y	YELLOW



CONNECTOR TYPE



SWITCH TYPE



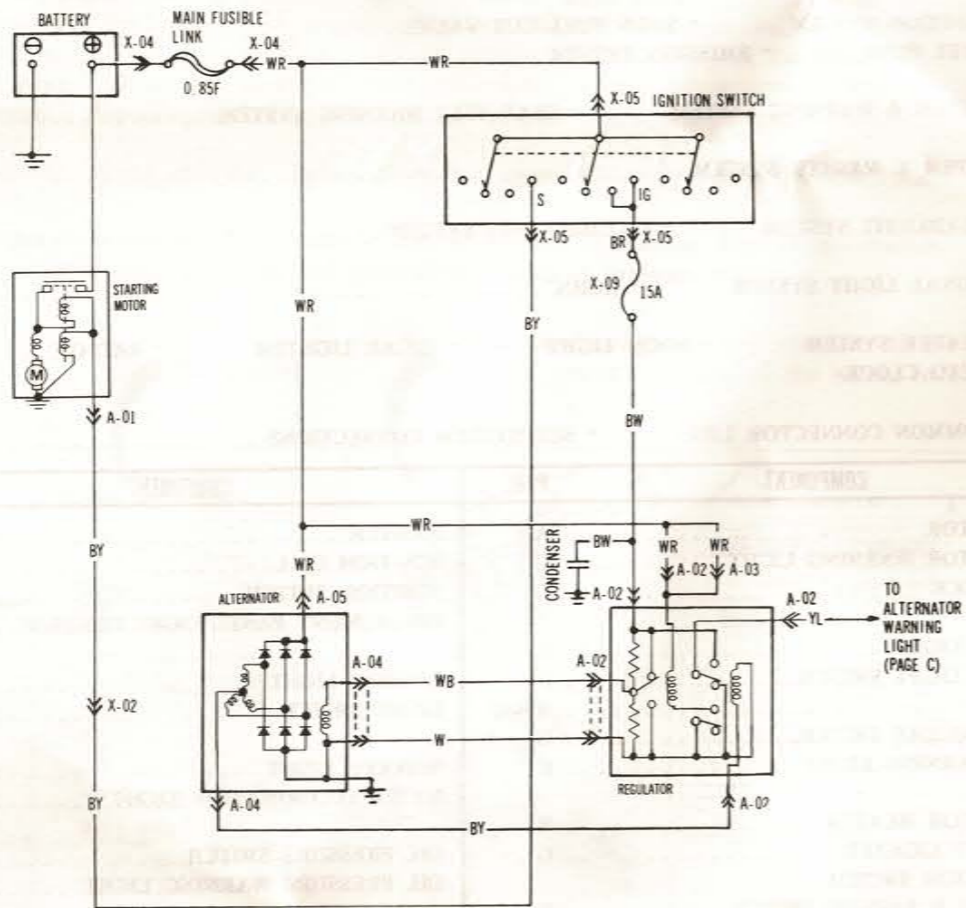
INDEX

SUB SYSTEM		PAGE
• CHARGING SYSTEM	• STARTING SYSTEM	A
• IGNITION SYSTEM	• SLOW FUEL CUT VALVE	B
• FUEL PUMP	• EMISSION SYSTEM	
• METER & WARNING SYSTEM	• SEAT BELT WARNING SYSTEM	C
• WIPER & WASHER SYSTEM		D
• HEADLIGHT SYSTEM	• ILLUMINATION SYSTEM	E
• SIGNAL LIGHT SYSTEM	• HORN	F
• HEATER SYSTEM	• ROOM LIGHT	G
• AUTO CLOCK	• CIGAR LIGHTER	
	• RADIO	
• COMMON CONNECTOR LIST	• SUB SYSTEM CONNECTIONS	X

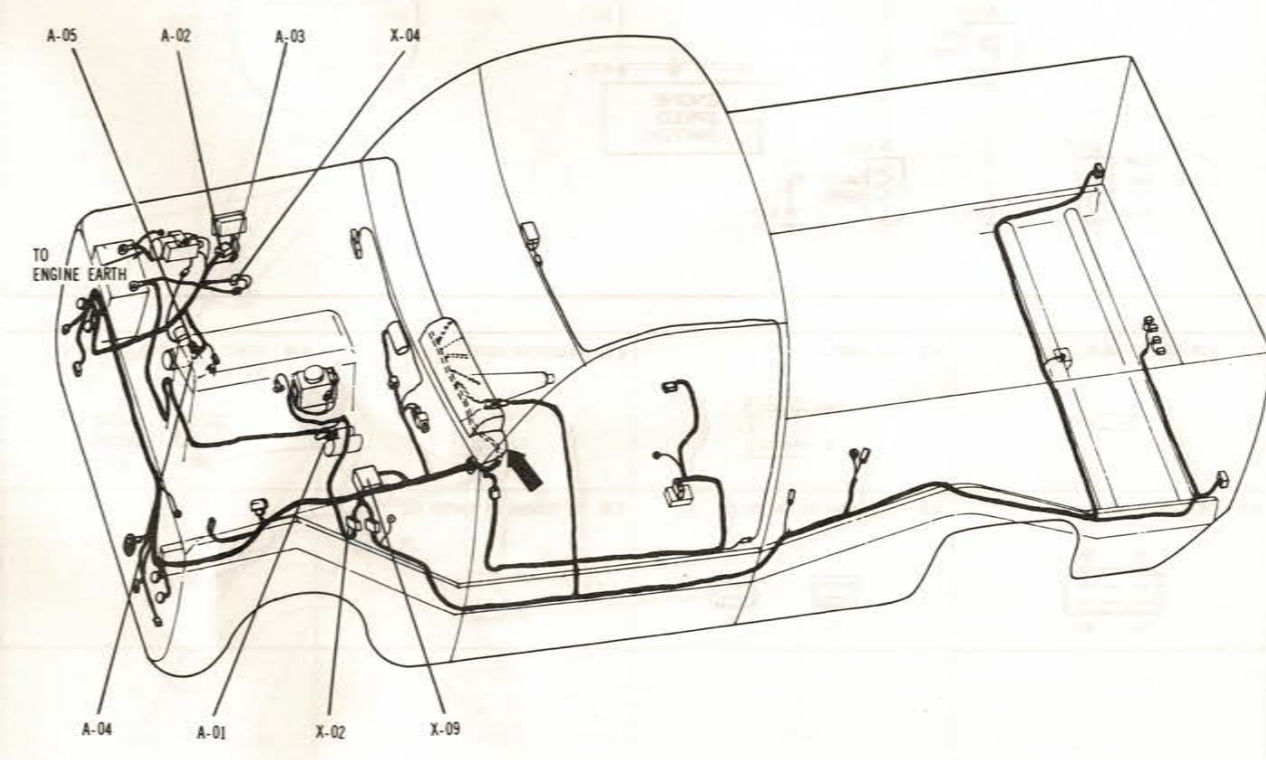
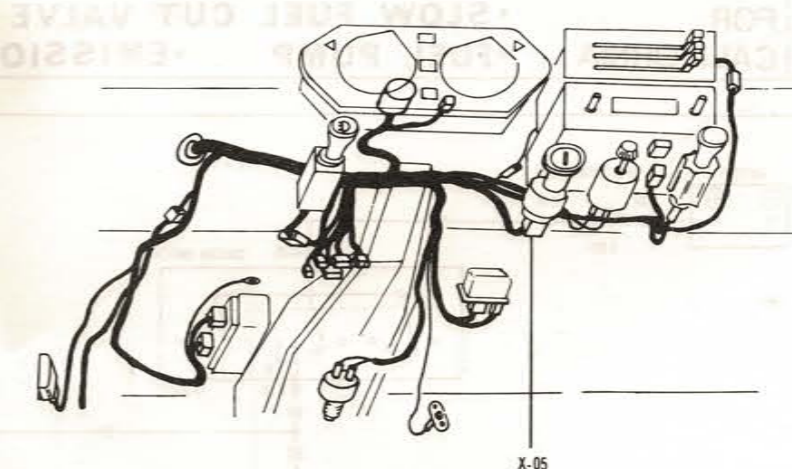
COMPONENT	PAGE	COMPONENT	PAGE
ALTERNATOR	A	IGNITER	B
ALTERNATOR WARNING LIGHT	C	IGNITION COIL	B
AUTO CLOCK	G	IGNITION SWITCH	A~D, E, G
		INSTRUMENT PANEL LIGHT CONTROL	E
BACK-UP LIGHT	F	LICENSE LIGHT	F
BACK-UP LIGHT SWITCH	F	LIGHT SWITCH	E, F
BATTERY	A~G	MARKER LIGHT	F
BRAKE FAILURE SWITCH	C	METER ILLUMINATION LIGHT	E
BRAKE WARNING LIGHT	C		
CARBURETOR HEATER	B	OIL PRESSURE SWITCH	C
CIGARETTE LIGHTER	G	OIL PRESSURE WARNING LIGHT	C
COMBINATION SWITCH			
DIMMER & PASSING SWITCH	E	PARKING BRAKE SWITCH	C
HAZARD & FLASHER SWITCH	F		
WIPER & WASHER SWITCH	D	RADIO	G
TURN SIGNAL SWITCH	F	REGULATOR	A, B
DISTRIBUTOR	B	ROOM LIGHT	G
E.G.R. SOLENOID VALVE	B	SEAT BELT SWITCH	C
ENGINE SPEED SWITCH	B	SEAT BELT TIMER	C
EXTERNAL RESISTOR	B	SEAT BELT WARNING BUZZER	C
		SEAT BELT WARNING LIGHT	C
FRONT PARKING LIGHT	F	SLOW FUEL CUT VALVE	B
FUEL GAUGE	C	SPEAKER	G
FUEL GAUGE TANK UNIT	C	STARTER MOTOR	A
FUEL PUMP	B	STOP LIGHT SWITCH	F
FUSIBLE LINK		STOP & TURN SIGNAL LIGHT	F
MAIN FUSIBLE LINK	A~G	TAIL LIGHT	F
HEADLIGHT FUSIBLE LINK	E	THROTTLE POSITIONER SOLENOID VALVE	B
		TURN SIGNAL LIGHT	F
HAZARD & FLASHER UNIT	F	TURN SIGNAL RELAY	F
HEADLIGHT	E		
HEATER BLOWER MOTOR	G	VOLTAGE REGULATOR	C
HEATER BLOWER SWITCH	G		
HEATER ILLUMINATION LIGHT	E	WASHER MOTOR	D
HIGH BEAM INDICATOR LIGHT	E	WATER TEMPERATURE GAUGE	C
HORN	F	WATER TEMPERATURE GAUGE UNIT	C
HORN SWITCH	F	WIPER MOTOR	D

A

• CHARGING SYSTEM • STARTING SYSTEM

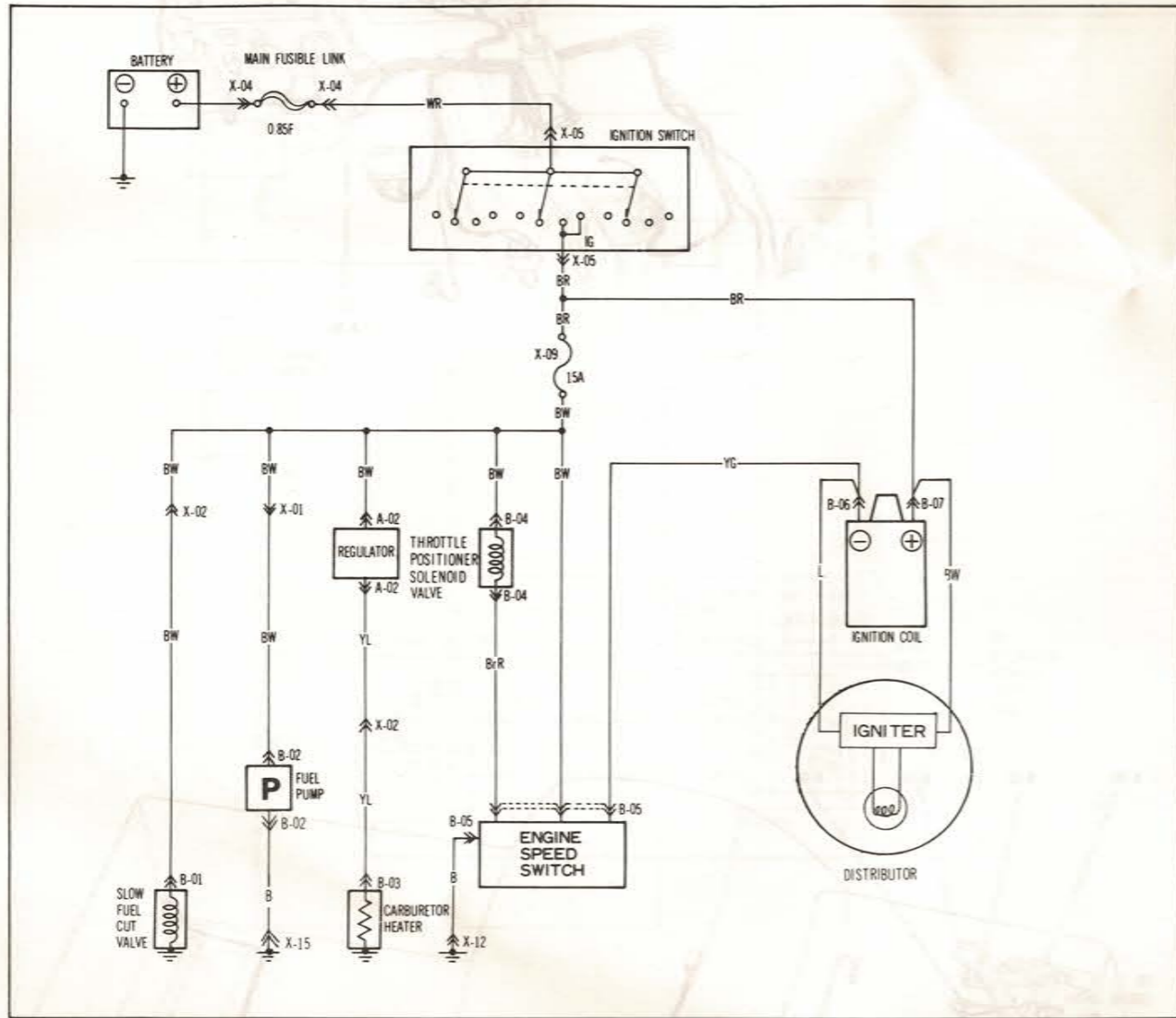


<p>A-01 STARTER MOTOR</p> <p>BY</p>	<p>A-02 REGULATOR</p>	<p>A-03 REGULATOR</p> <p>WR</p>	<p>A-04 ALTERNATOR</p>
<p>A-05 ALTERNATOR</p> <p>WR</p>			

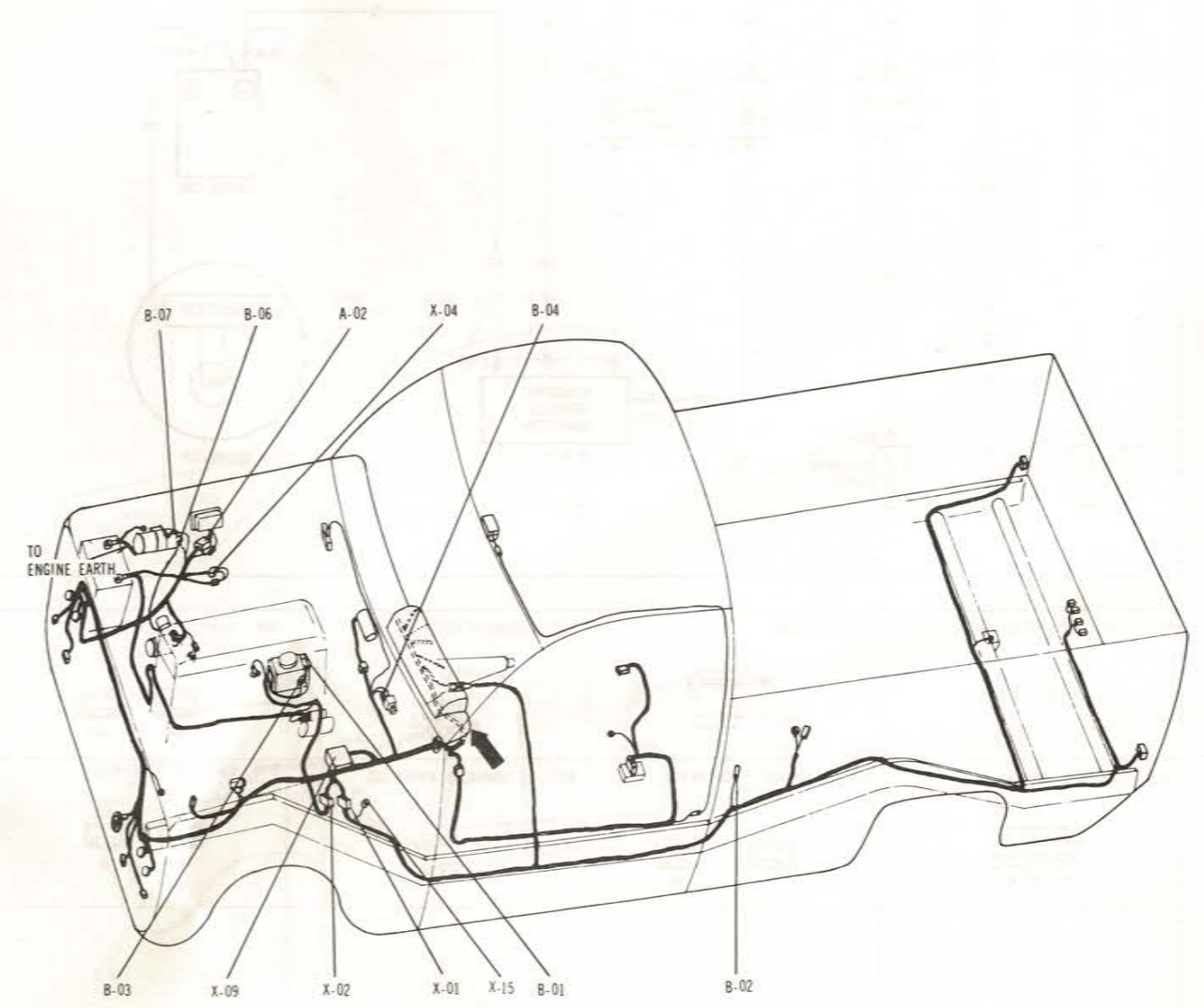
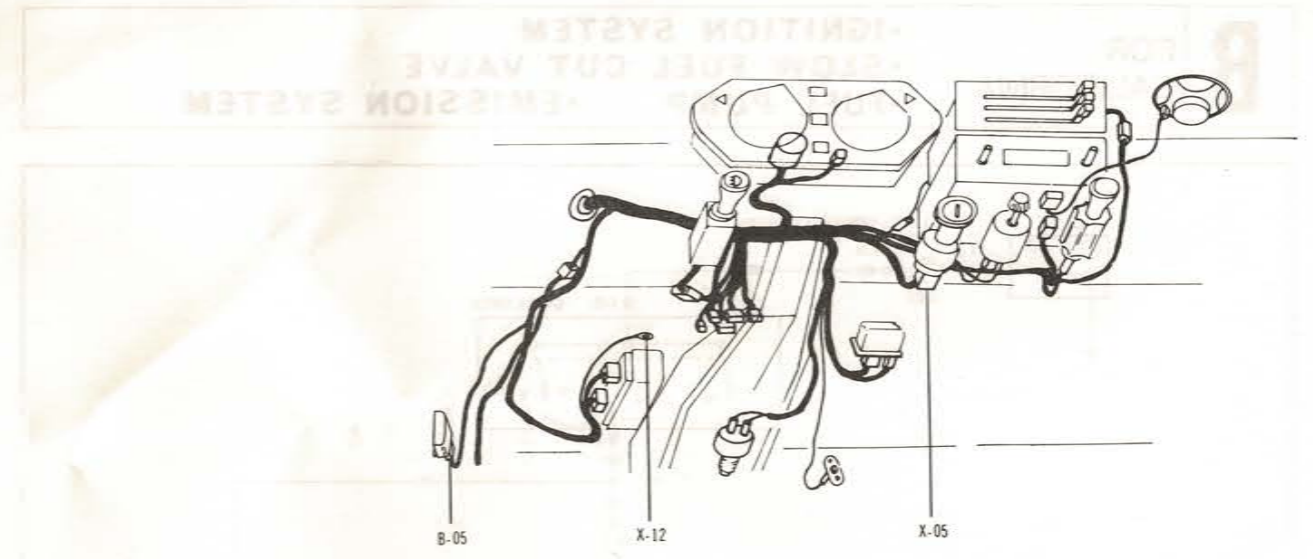


BEXCEPT
FOR
CALIFORNIA

- IGNITION SYSTEM
- SLOW FUEL CUT VALVE
- FUEL PUMP
- EMISSION SYSTEM

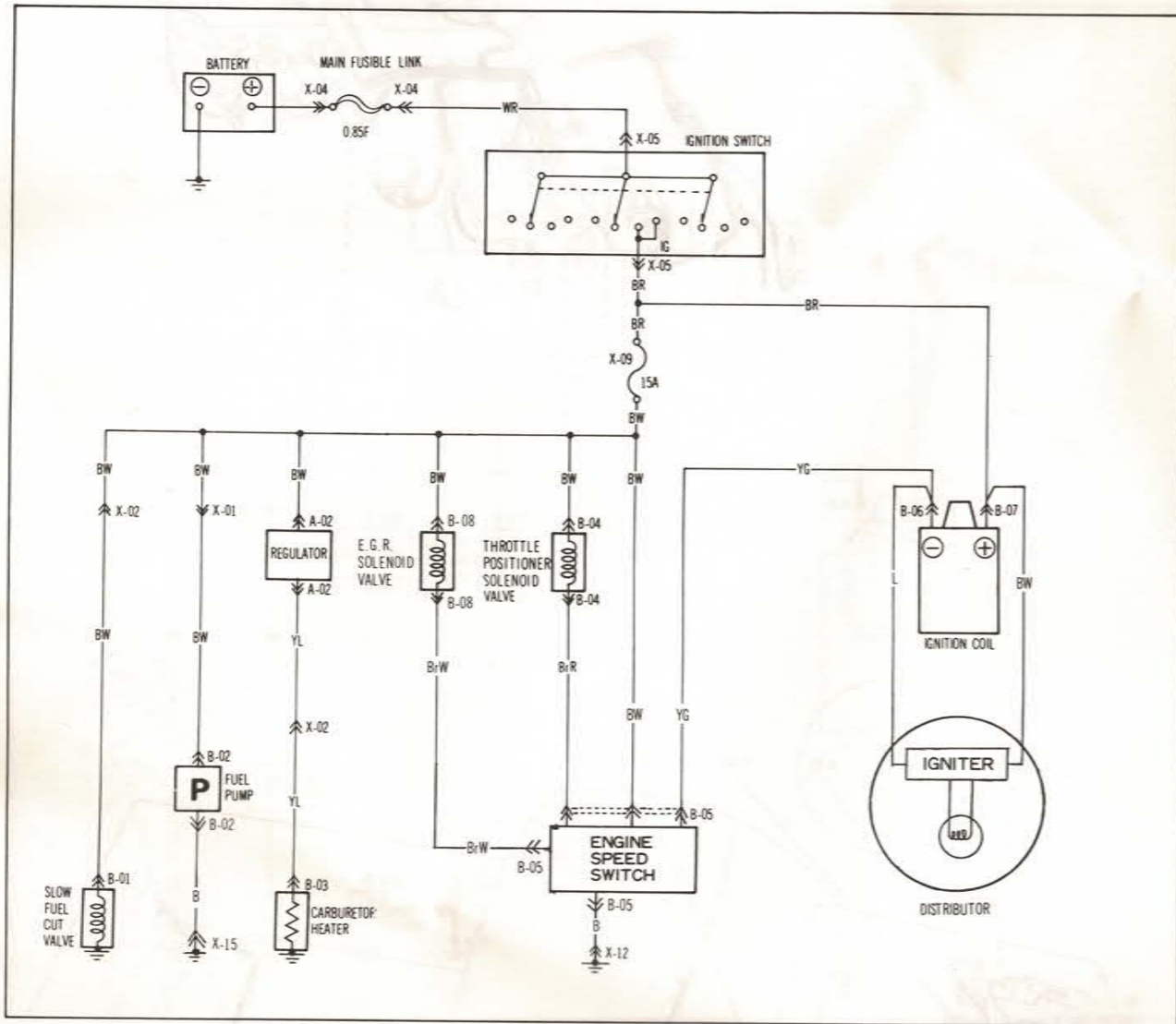


B-01 SLOW FUEL CUT VALVE 	B-02 FUEL PUMP 	B-03 CARBURETOR HEATER 	B-04 THROTTLE POSITIONER SOLENOID VALVE
B-05 ENGINE SPEED SWITCH 	B-06 ⊖ TERMINAL OF IGNITION COIL 	B-07 ⊕ TERMINAL OF IGNITION COIL 	

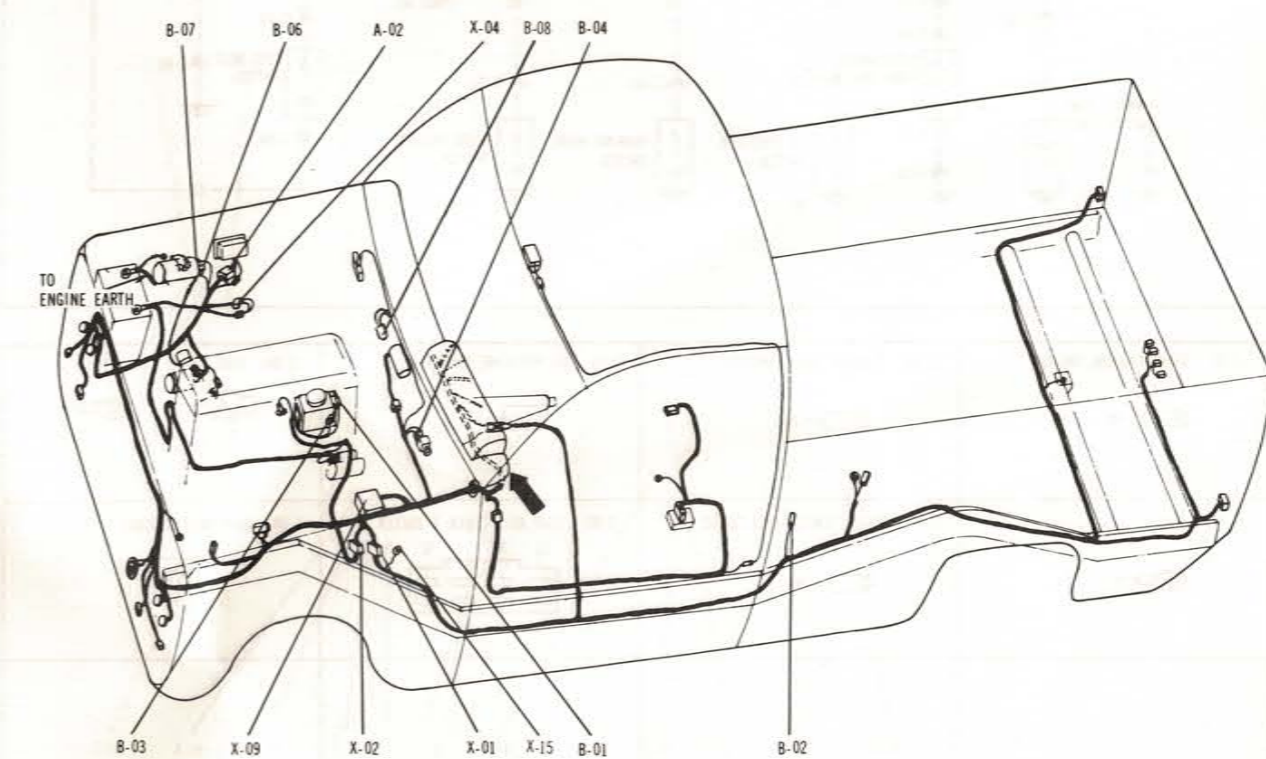
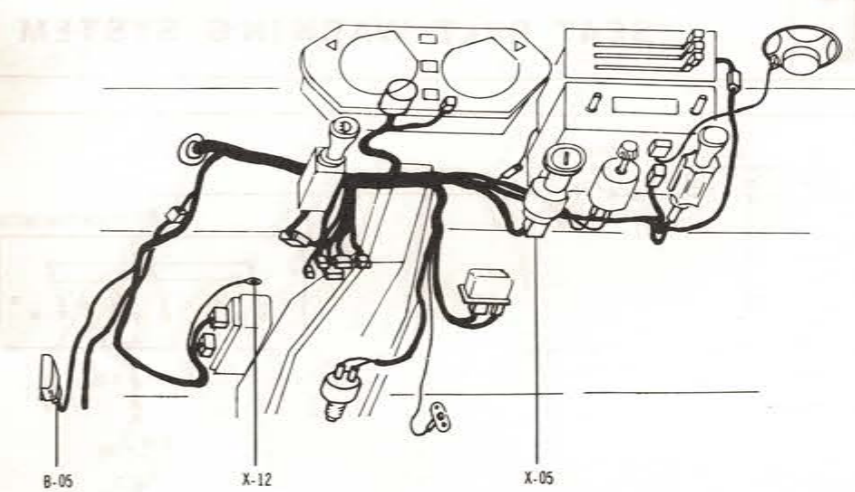


B FOR CALIFORNIA

•IGNITION SYSTEM
•SLOW FUEL CUT VALVE
•FUEL PUMP •EMISSION SYSTEM

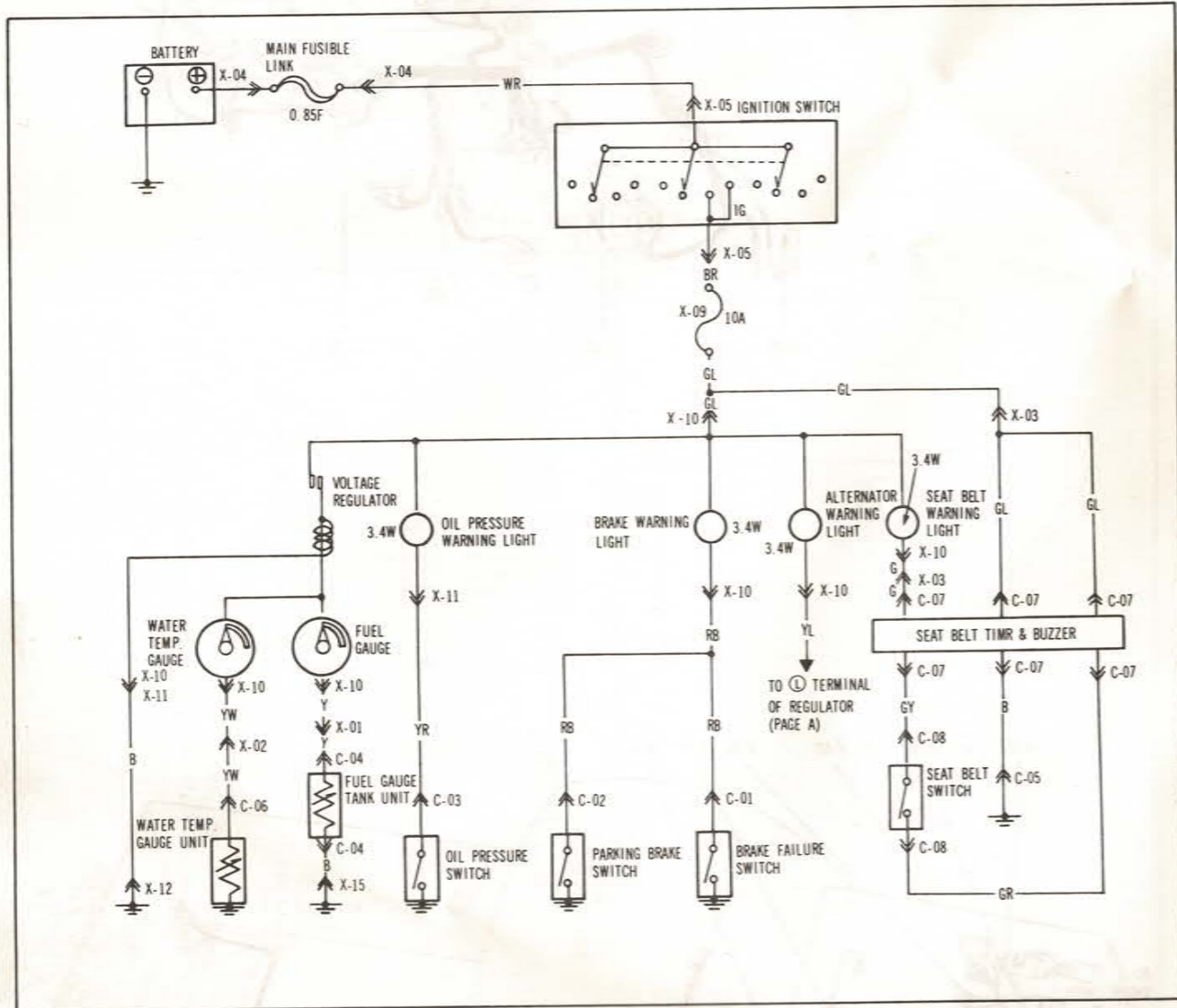




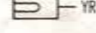
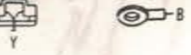

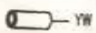
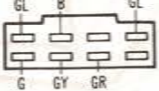
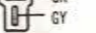
<p>B-01 SLOW FUEL CUT VALVE</p>	<p>B-02 FUEL PUMP</p>	<p>B-03 CARBURETOR HEATER</p>	<p>B-04 THROTTLE POSITIONER SOLENOID VALVE</p>
<p>B-05 ENGINE SPEED SWITCH</p>	<p>B-06 ⊖ TERMINAL OF IGNITION COIL</p>	<p>B-07 ⊕ TERMINAL OF IGNITION COIL</p>	<p>B-08 E.G.R. SOLENOID VALVE</p>

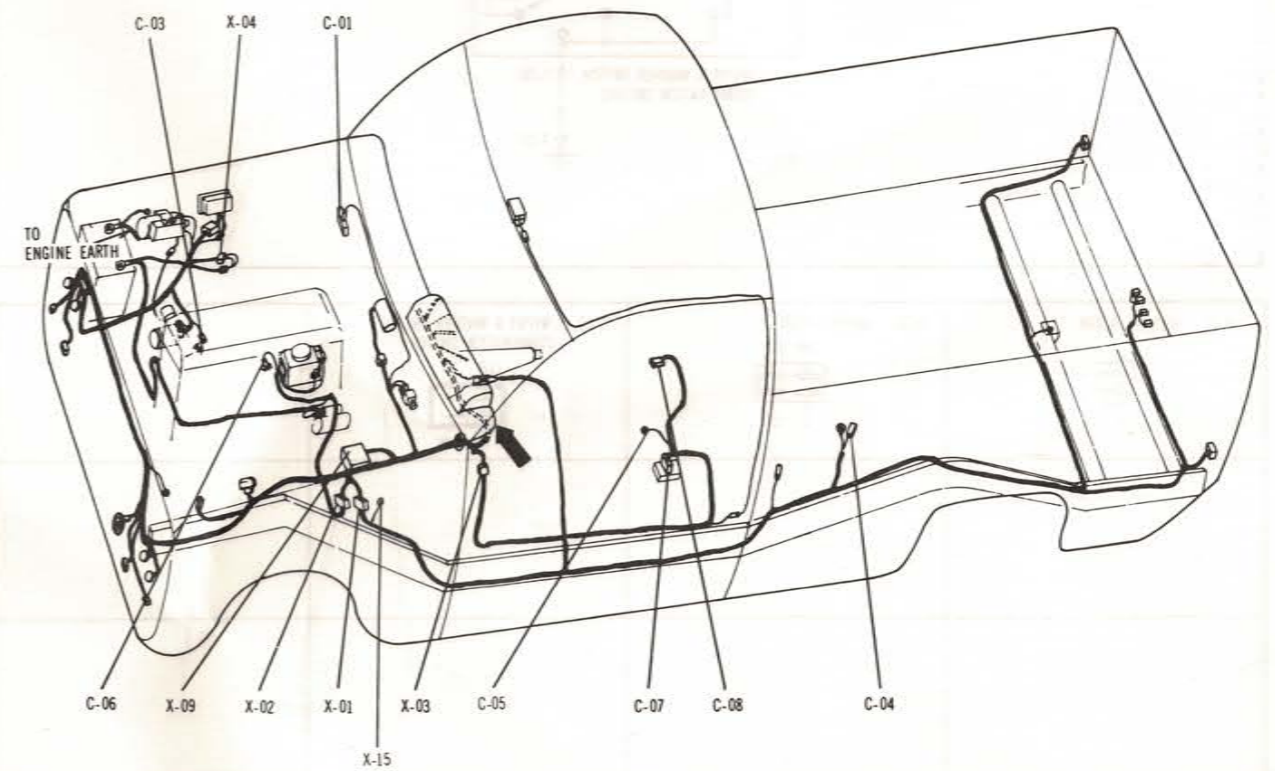
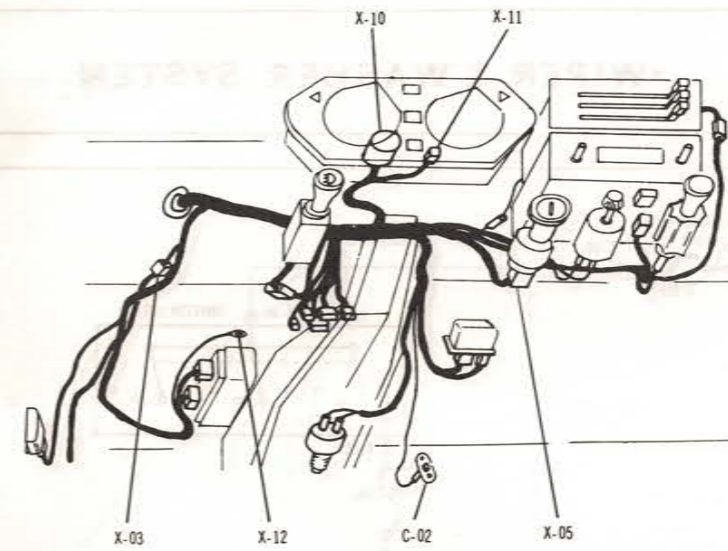


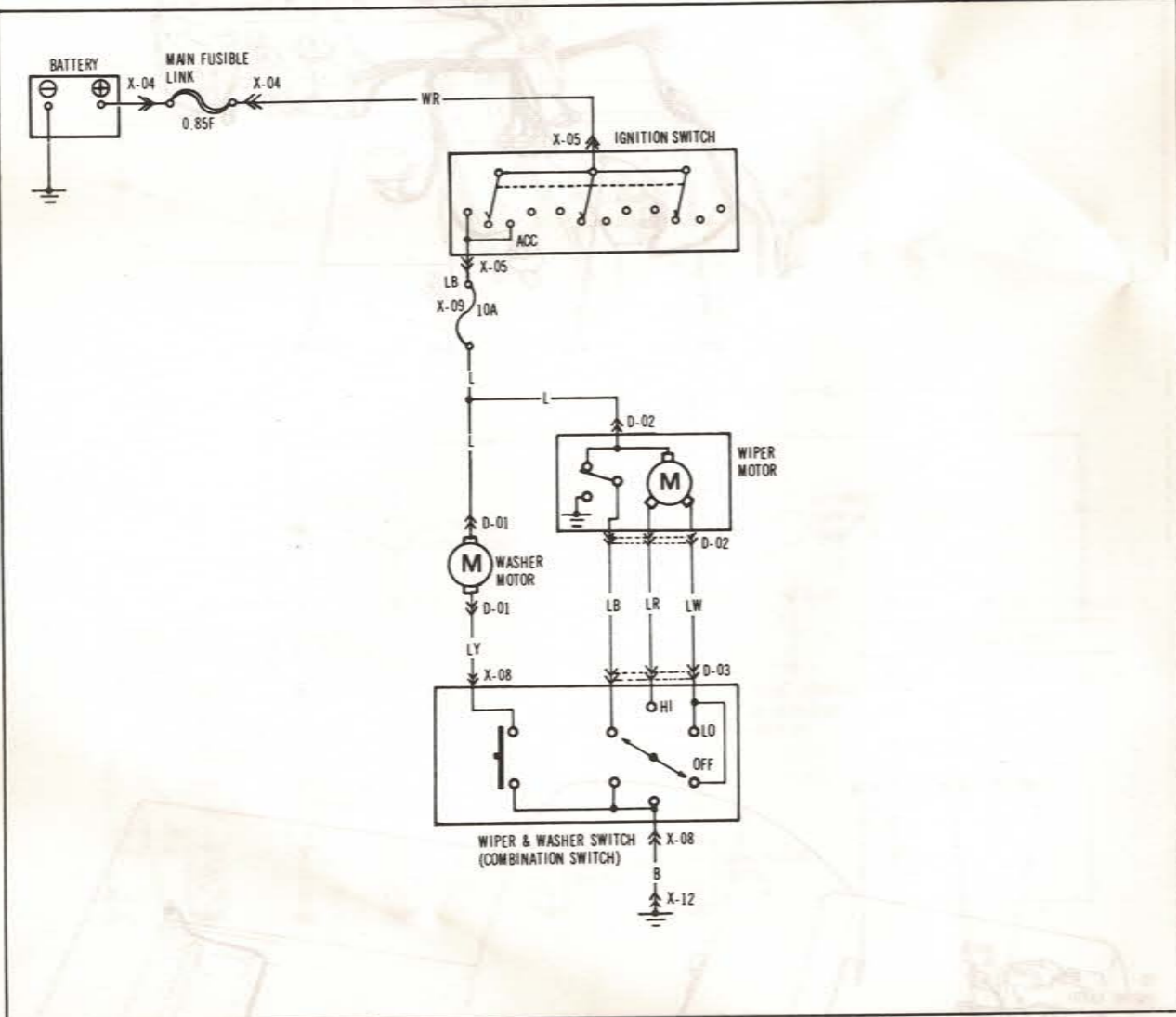
C

**•METER & WARNING SYSTEM
•SEAT BELT WARNING SYSTEM**

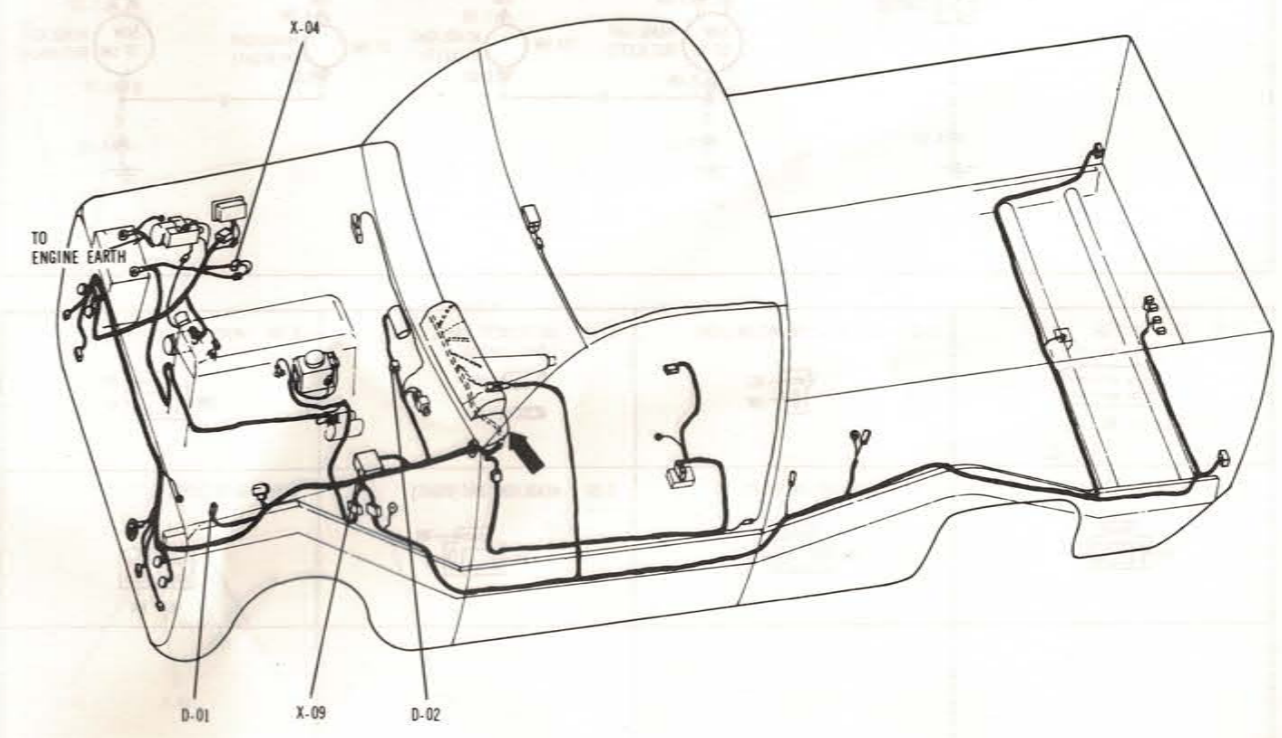
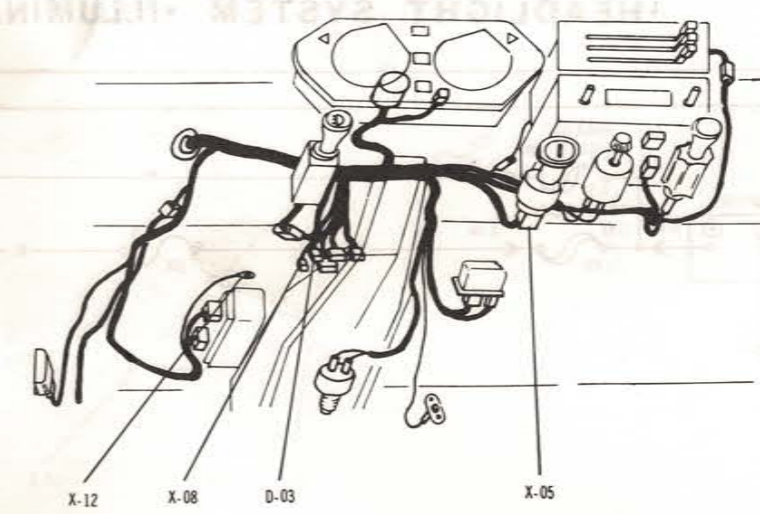


C-01 BRAKE FAILURE SWITCH  RB	C-02 PARKING BRAKE SWITCH  RB	C-03 OIL PRESSURE SWITCH  YR	C-04 FUEL GAUGE TANK UNIT  Y B
C-05 EARTH  B	C-06 WATER TEMPERATURE GAUGE UNIT  YW	C-07 SEAT BELT TIMER & BUZZER  GL B GL G GY GR	C-08 SEAT BELT SWITCH  GR GY

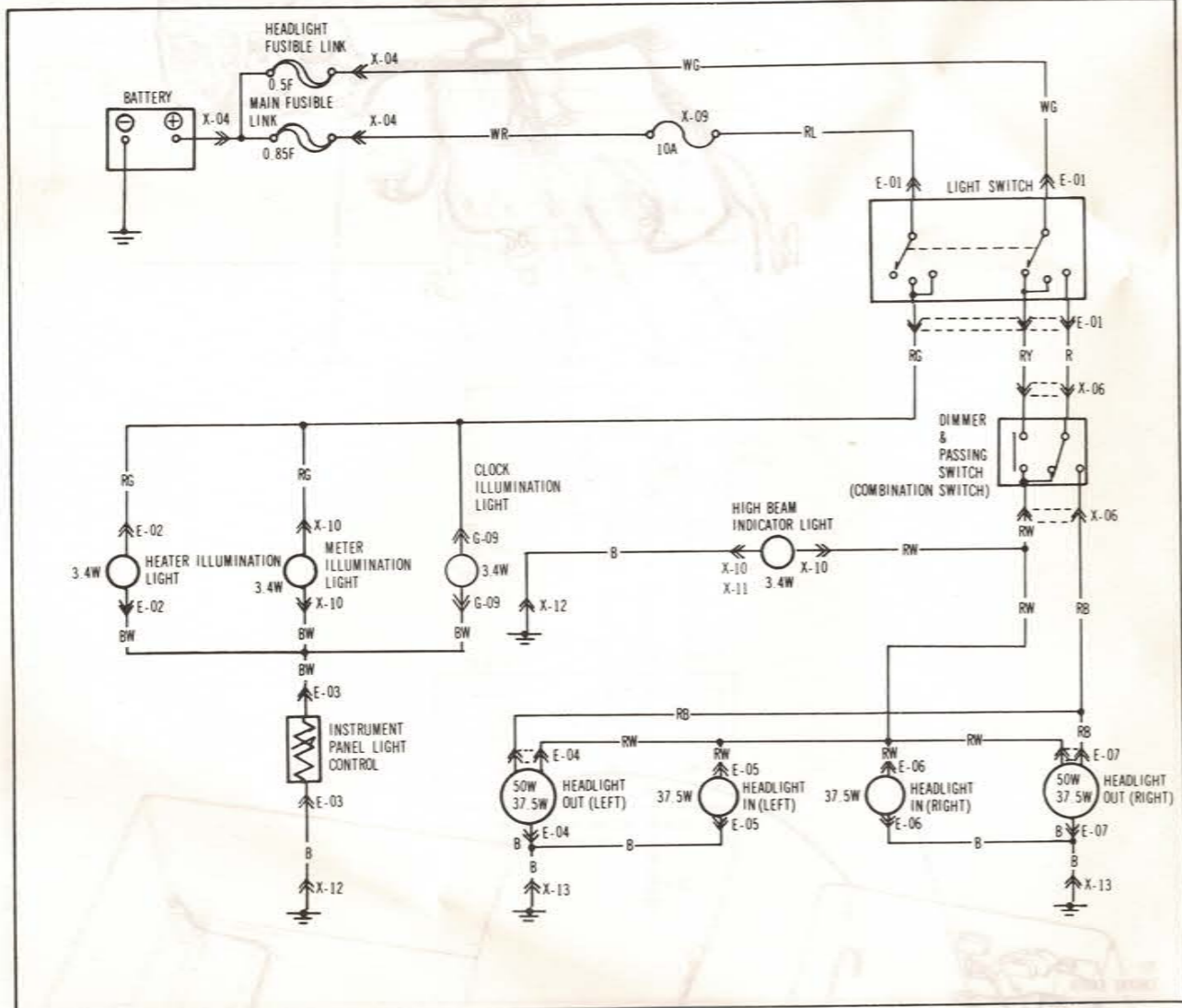


D**WIPER & WASHER SYSTEM**

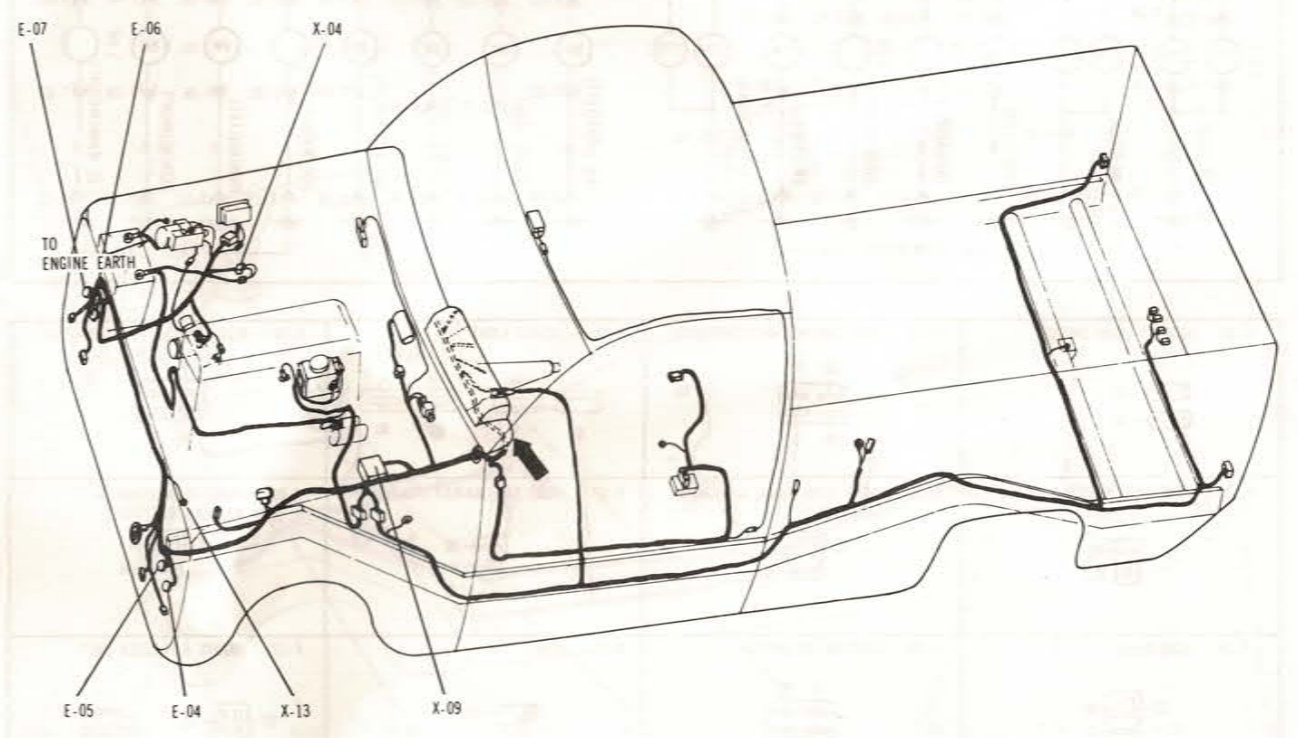
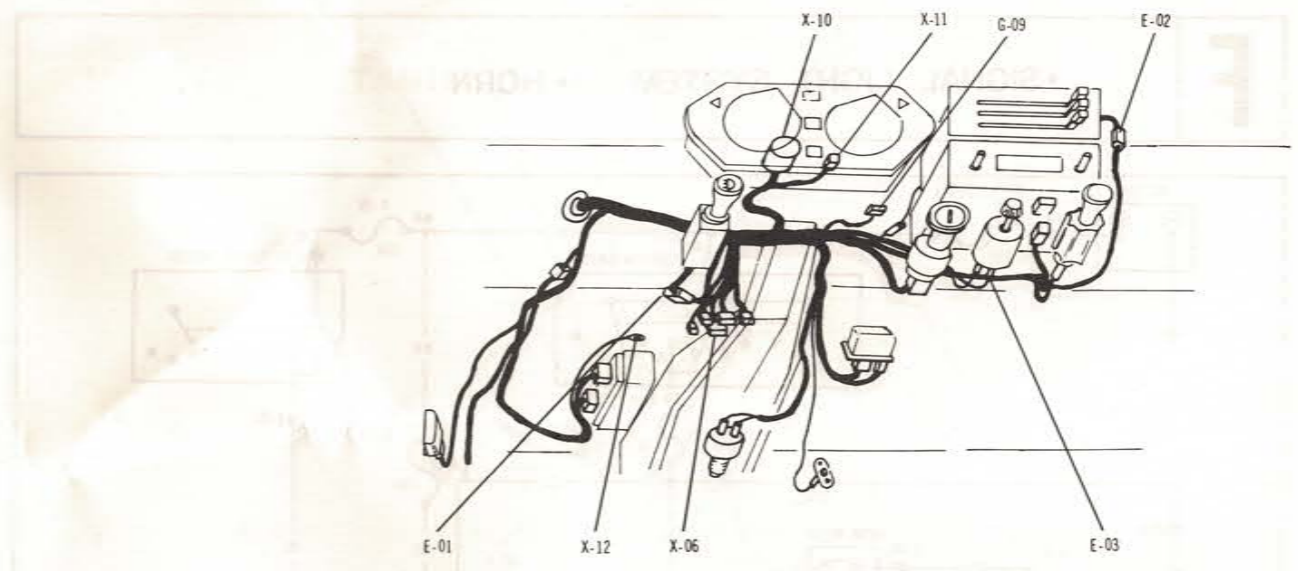
D-01 WASHER MOTOR 	D-02 WIPER MOTOR 	D-03 WIPER & WASHER SWITCH (COMBINATION SWITCH) 	

ILLUMINATION SYSTEM

E HEADLIGHT SYSTEM ILLUMINATION SYSTEM

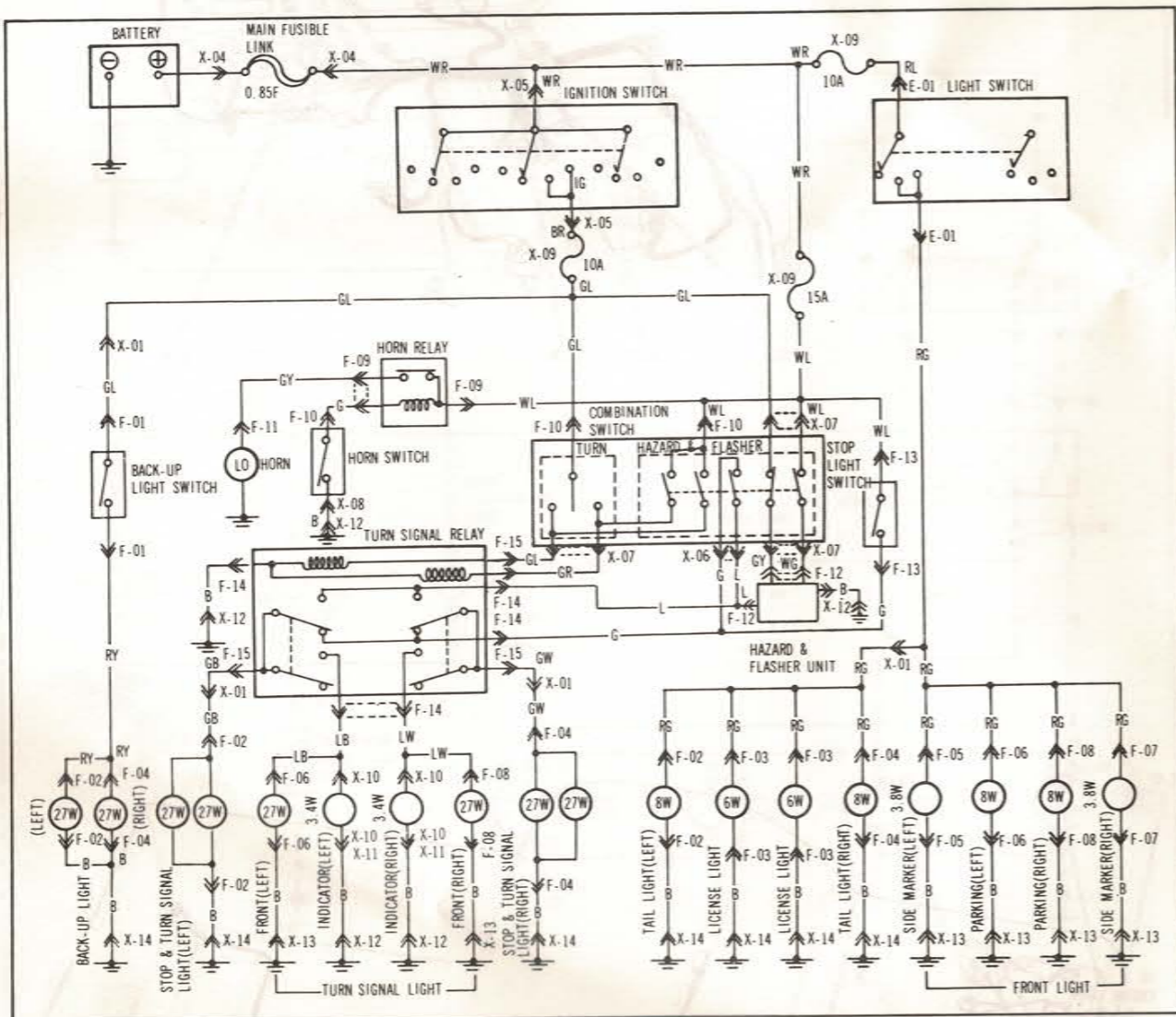


<p>E-01 LIGHT SWITCH</p>	<p>E-02 HEATER ILLUMINATION LIGHT</p>	<p>E-03 INSTRUMENT PANEL LIGHT CONTROL</p>	<p>E-04 HEADLIGHT OUT (LEFT)</p>
<p>E-05 HEADLIGHT IN (LEFT)</p>	<p>E-06 HEADLIGHT IN (RIGHT)</p>	<p>E-07 HEADLIGHT OUT (RIGHT)</p>	<p>G-09 AUTO CLOCK</p>

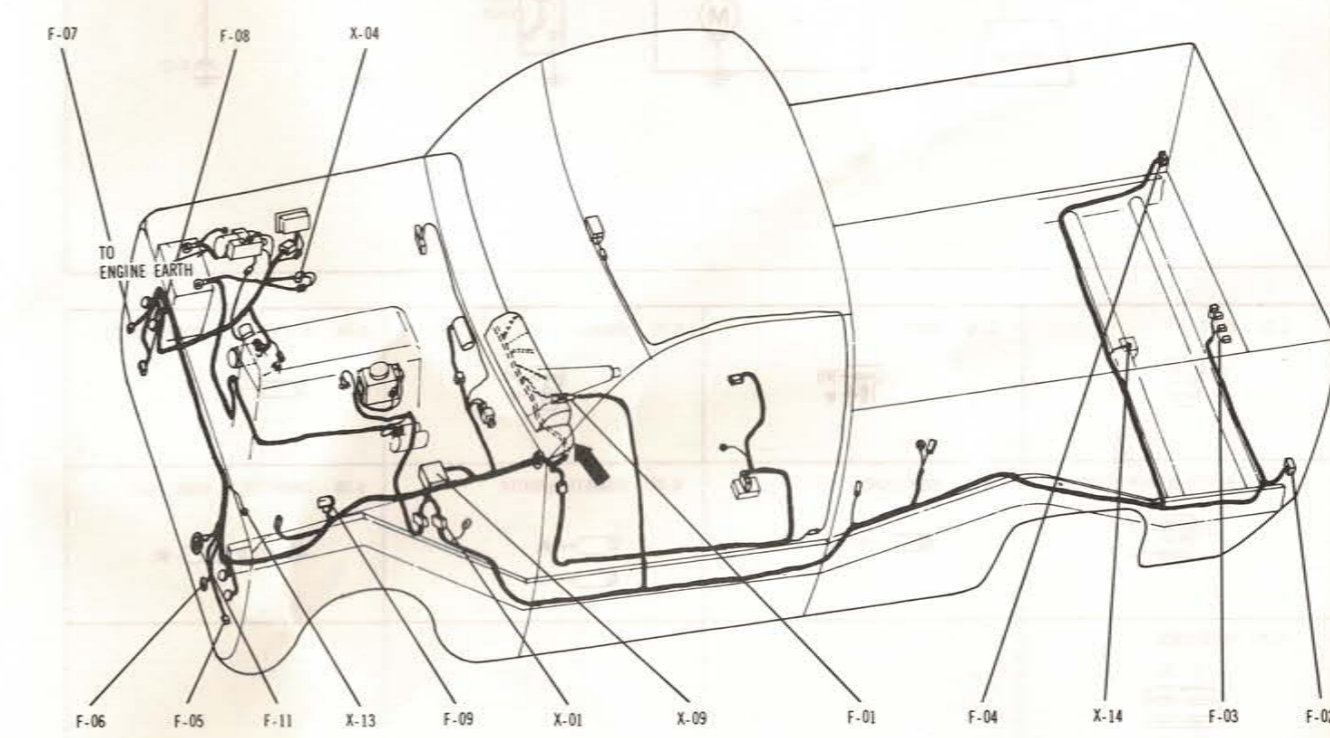
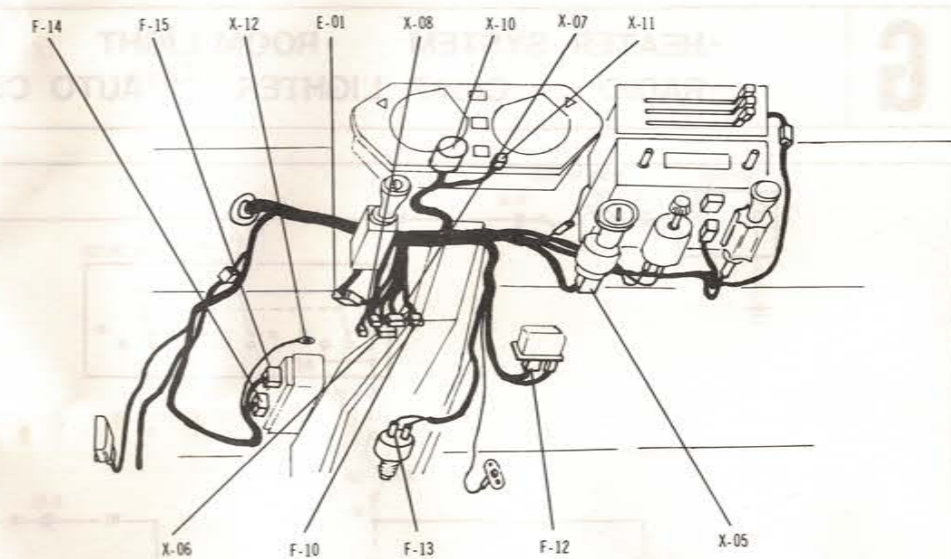


F

• SIGNAL LIGHT SYSTEM • HORN

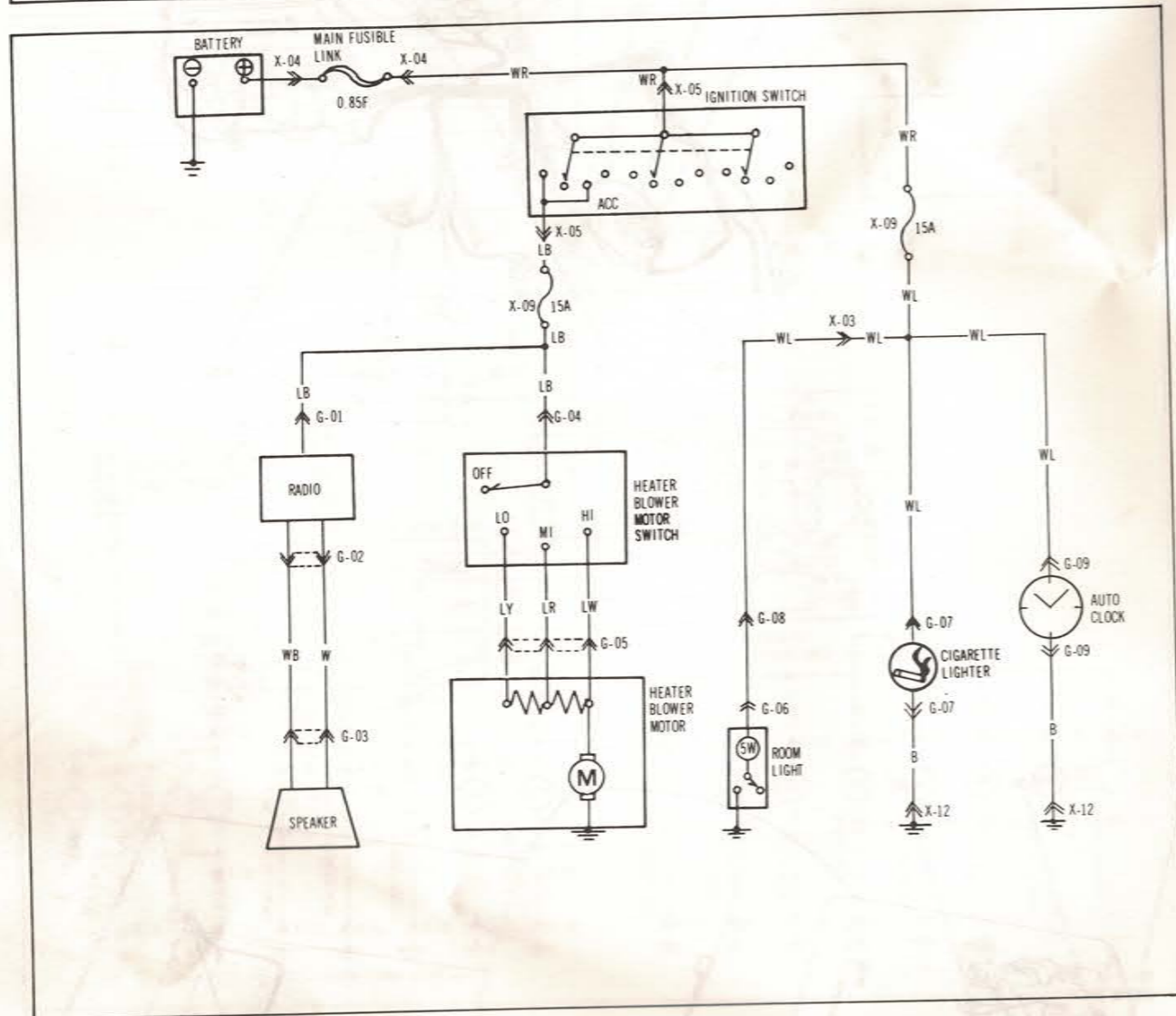


<p>F-01 BACK-UP LIGHT SWITCH</p>	<p>F-02 REAR COMBINATION LIGHT(LEFT)</p>	<p>F-03 LICENSE LIGHT</p>	<p>F-04 REAR COMBINATION LIGHT(RIGHT)</p>
<p>F-05 FRONT SIDE MARKER LIGHT(LEFT)</p>	<p>F-06 FRONT TURN SIGNAL & MARKER LIGHT(LEFT)</p>	<p>F-07 FRONT SIDE MARKER LIGHT(RIGHT)</p>	<p>F-08 FRONT TURN SIGNAL & MARKER LIGHT(RIGHT)</p>
<p>F-09 HORN RELAY</p>	<p>F-10 COMBINATION SWITCH</p>	<p>F-11 HORN</p>	<p>F-12 HAZARD & FLASHER UNIT</p>
<p>F-13 STOP LIGHT SWITCH</p>	<p>F-14 TURN SIGNAL RELAY</p>	<p>F-15 TURN SIGNAL RELAY</p>	

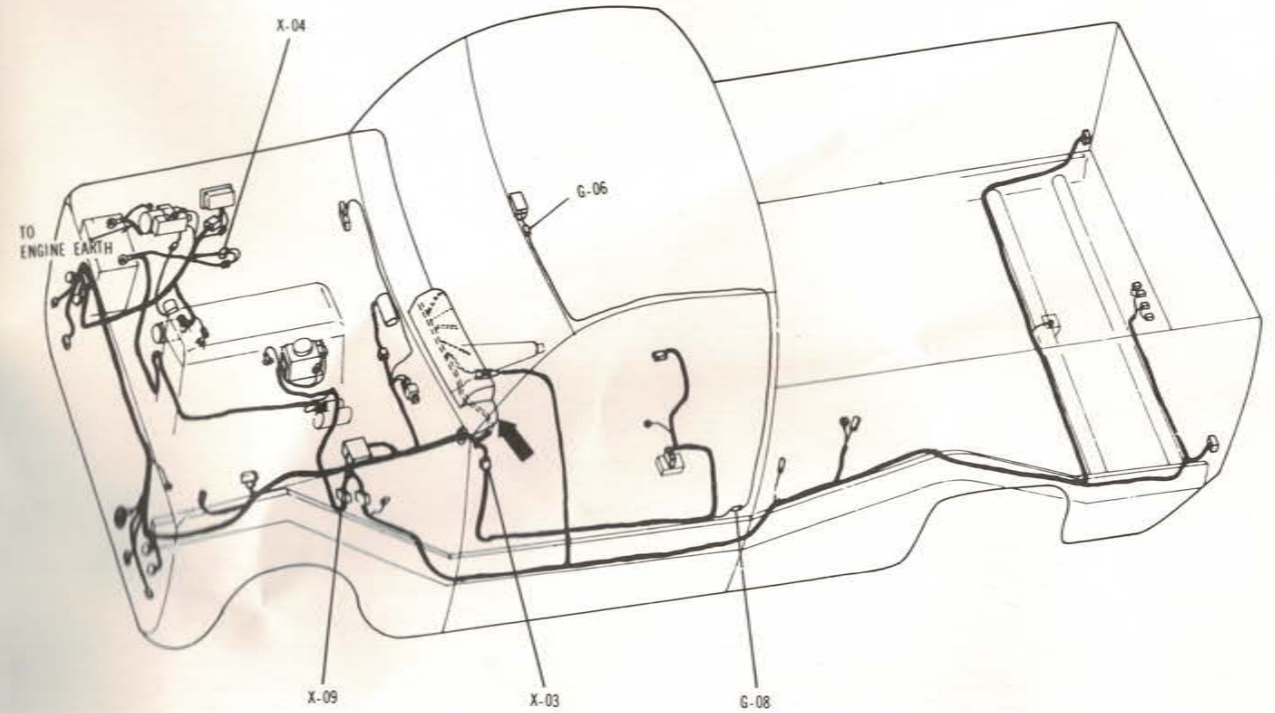
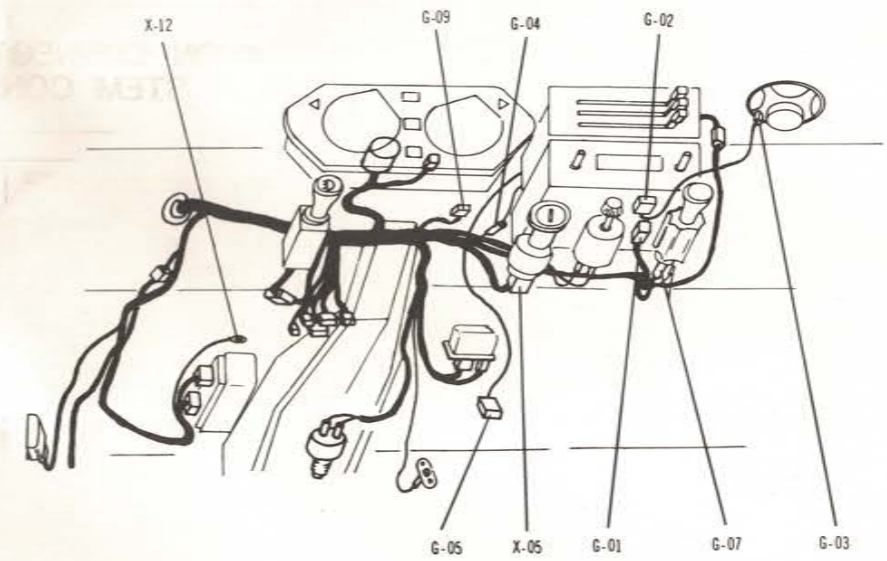


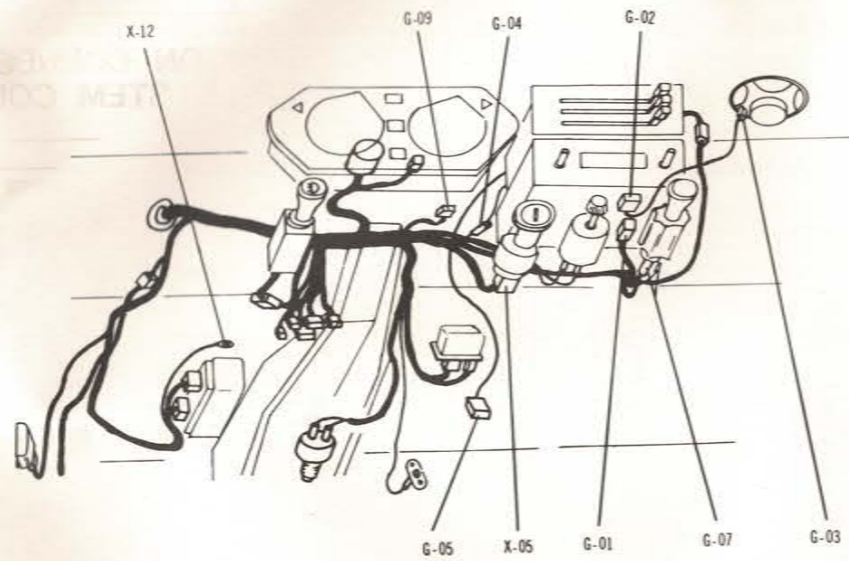
G

• HEATER SYSTEM • ROOM LIGHT
• RADIO • CIGAR LIGHTER • AUTO CLOCK



G-01 RADIO 	G-02 RADIO 	G-03 SPEAKER 	G-04 HEATER BLOWER MOTOR SWITCH
G-05 HEATER BLOWER MOTOR 	G-06 ROOM LIGHT 	G-07 CIGARETTE LIGHTER 	G-08 CONNECTOR TO ROOM LIGHT
G-09 AUTO CLOCK 			

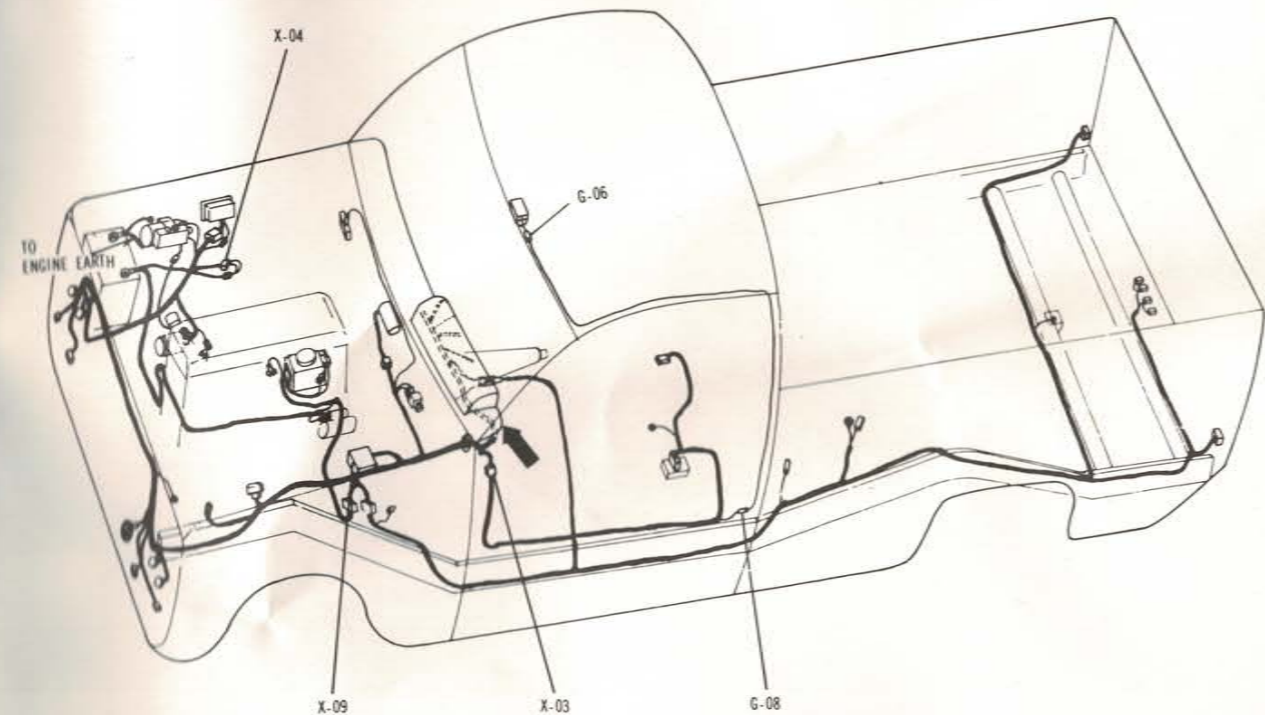




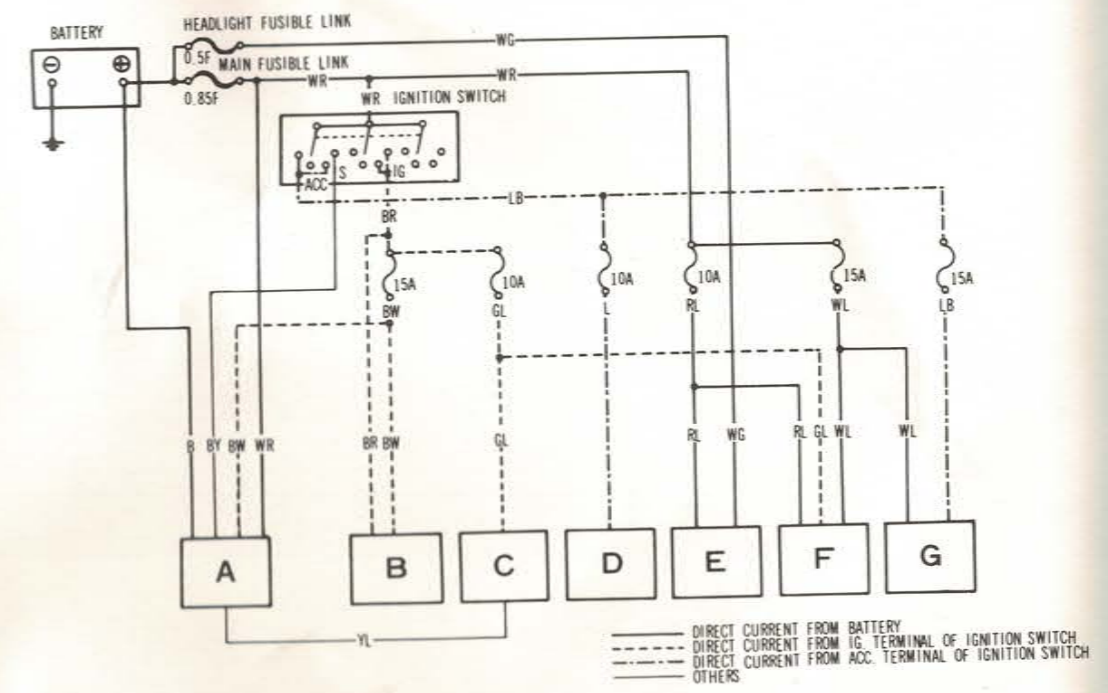
• COMMON CONNECTOR LIST
• SUB SYSTEM CONNECTIONS

X

<p>X-01 CONNECTOR TO REAR HARNESS</p>	<p>X-02 CONNECTOR TO ENGINE HARNESS</p>	<p>X-03 CONNECTOR TO SEAT BELT HARNESS</p>	<p>X-04 FUSIBLE LINK</p>
<p>X-05 IGNITION SWITCH</p>	<p>X-06 COMBINATION SWITCH</p>	<p>X-07 COMBINATION SWITCH</p>	<p>X-08 COMBINATION SWITCH</p>
<p>X-09 FUSE BLOCK</p>		<p>X-10 METER SET</p>	<p>X-11 METER SET</p>
<p>X-13 EARTH</p>	<p>X-14 EARTH</p>	<p>X-15 EARTH</p>	<p>X-12 EARTH</p>



SUB SYSTEM CONNECTIONS



LOC.	SC132H3	mazda	1	INV.
PART NO.	9999-95-0176-81		P93596	NO.
DESC.	W/D B2000		05/23/88	DATE
QTY. ORD.			70941	DLR. CODE
		QTY. SHIP	1	

Toyo Kogyo Co., Ltd.
© 1980 Printed in Japan
5586-10-80E LE-FUC